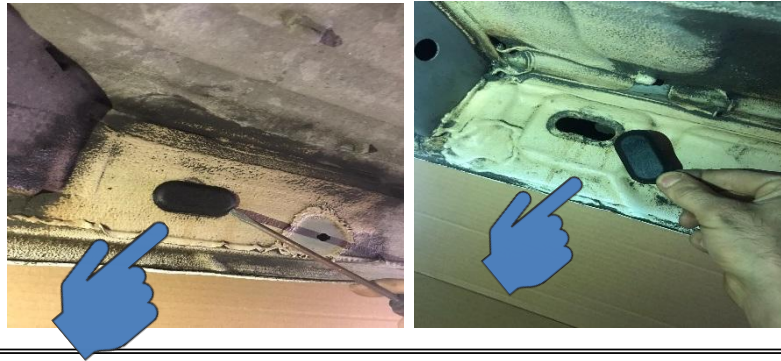




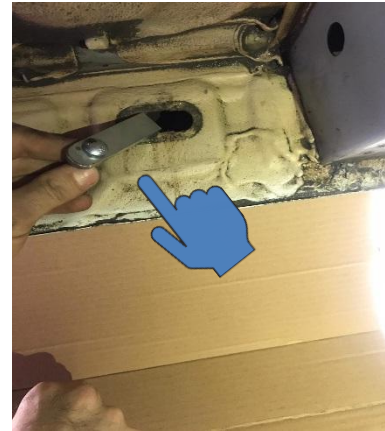
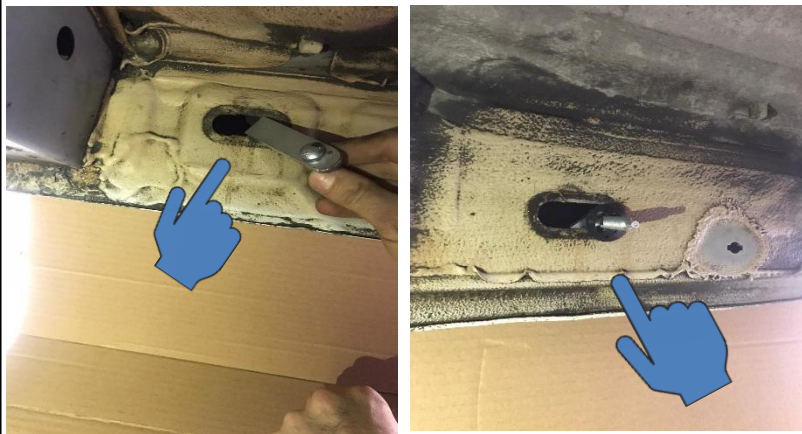
Front left



Front Right



Front left



Front Right



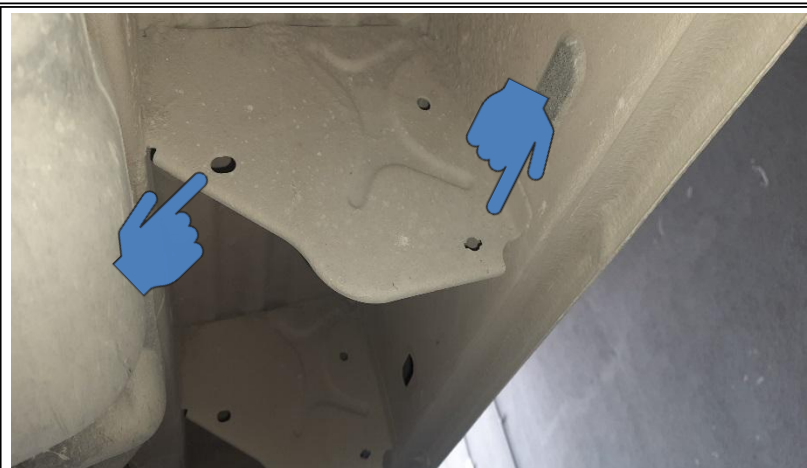
Front left



Front Right



Middle left



Middle Right



Middle left



Middle Right



Middle left



Middle Right



Rear left



Rear Right



Rear left



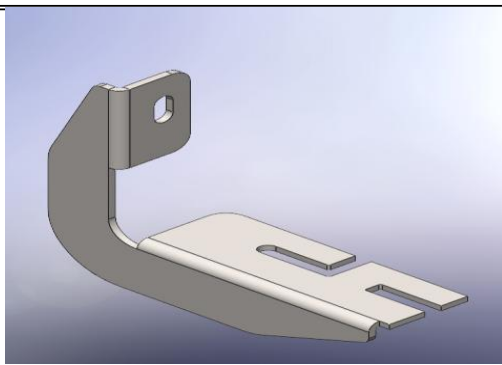
Rear Right



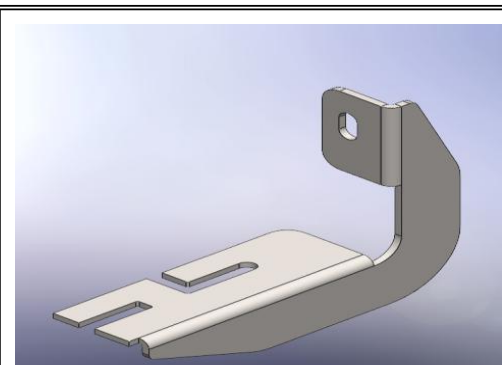
Rear left



Rear Right



Front left



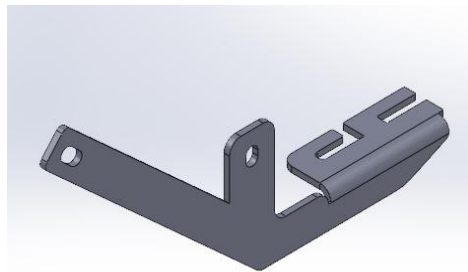
Front Right



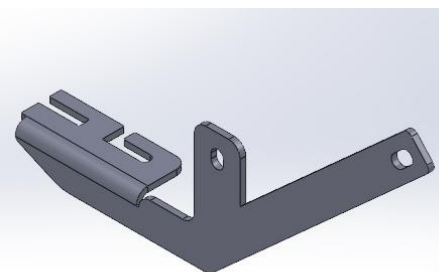
M10



M10 T-1



Middle left



Middle Right



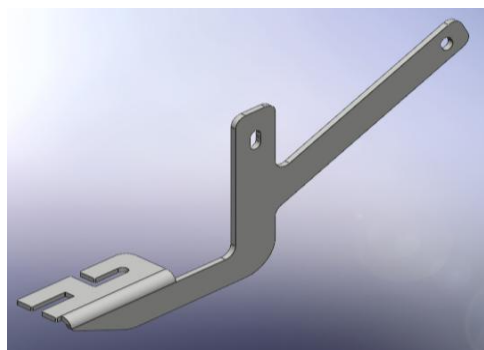
M8X25



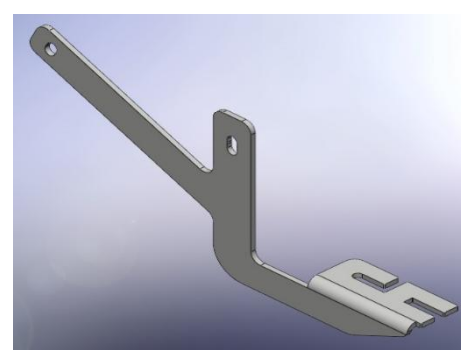
M8



M8



Rear left



Rear Right



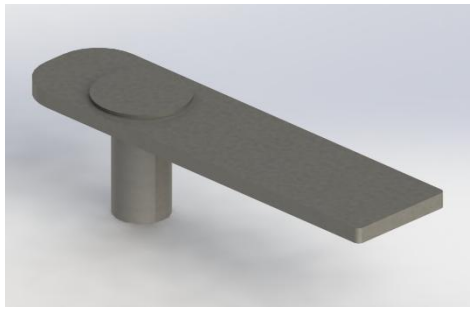
M8



M8



M8X25



1 M10 T-1 =2



M8 =8 **4**



M13



2 M8 =8



2 **5**



CIRCIR ARM



3 M8X25 =8



M10 =2 **6**



M13-15